

3W 3hr Emergency Kit (Non Maintained)



The Light Footprint 3W Emergency Kit is a complete emergency solution to be installed as a standalone / non-integrated unit. Designed to be installed flush in the ceiling, the fitting will provide 3 hours of emergency lighting in the event of power failure.

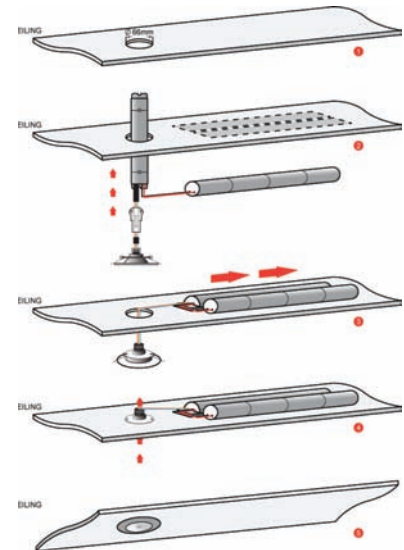
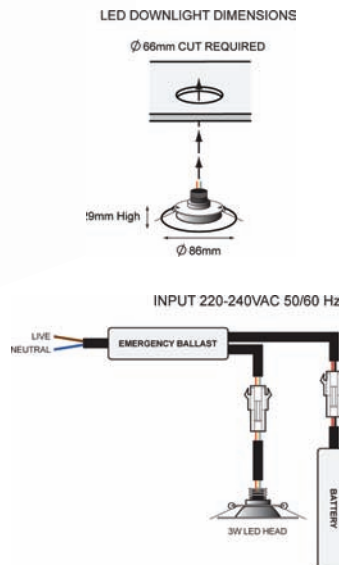
Our kit includes; the battery pack, the 3W LED head unit with integrated LED charge indicator and the emergency power module (see pic). The unit has a discharge protection circuit for use with a 4.8V Ni-Cd (high temp) battery

These emergency kits are designed to operate in non-maintained mode only. Upon mains failure the 3W LED lamp will illuminate for a minimum of 3 hours. This unit requires a permanent mains supply.

Installation Procedure

To be Carried Out by a Qualified Person

- 1) These emergency kits should not be mounted near any heat source or where the ambient temperature normally exceeds 25 °C.
- 2) Connect Blue wire to Neutral and Brown wire to Permanent LIVE.
- 3) Energise the PERMANENT LIVE to mains supply and check if the GREEN status indicator illuminates.
- 4) Allow these emergency kits to charge for at least 1 hour before briefly testing the emergency mode. Please allow a further 24 hours charge before considering the unit to be fully operational to specification.



Technical Specification

95 lumen's in emergency mode
220-240VAC Operating voltage
3 Hours non-maintained illumination
24 hours charge time
Green status LED built into LED head
4.8V 1.8Ah High Temp Ni-Cad Battery
120 degree beam angle

Dimensions

Battery (Dia ϕ x L): $\phi 22 \times 170$ mm
Inverter (L x W x H): 150mm x 24mm X 23mm
Ceiling: $\phi 66$ mm cut out



3 Year Warranty

Product Code	Cut-out Required	Colour	Lumen	TCW
EK3W	66mm	Cool White 6000K (CW)	95	3W