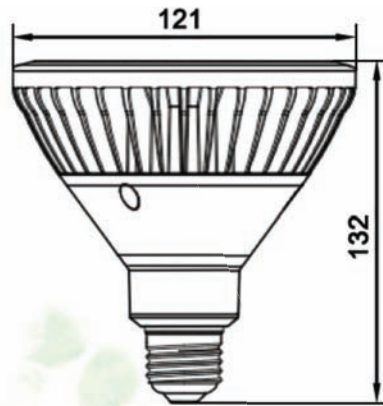


Par 38 Lamps



The Light Footprint PAR 38 lamps are designed to look similar to the traditional reflector lamps in appearance ensuring that our ultra-low energy alternative is equally as aesthetically pleasing.

The top quality multi-core LED's are mounted reverse facing to project the light directly onto the high performance reflector which allows for better beam control than forward facing chips. This configuration reduces glare, has a higher optical efficiency while offering high colour rendering to maximise true colours in areas where colour definition is essential.

Due to this high optical efficiency, energy loss is reduced, creating a very effective energy saving solution.

The dimmable versions can work on most leading and trailing edge dimmers, with a possible dimmable range of 1%-100%.

Technical Specification

Total Circuit Wattage	20W
Working Voltage	220-265VAC
Working Temperature	-30°C/+45°C
Beam Angle	24°
Estimated Life Span	40,000hrs
CRI	>88
Lamp Base	E27 (ES)

Test Standards

EN55015

EN61547

EN61000-3-2

EN61000-3-3

EN60968

EN62031

EN62471



3 Year Warranty

DIMMABLE

Product Code	Size	Colour	Lumen	TCW	Dimmable
PAR38W/W20	L.132mm / D.121mm	Warm White 2700K (W/W)	1000	20W	YES

Other product options (lead-time & minimum order quantity applies)

Natural White 4000K (NW)

Daylight White 5000K (DW)

12° & 35° Beam Angles

Web
www.lightfootprint.com

Belfast
028 9051 7057

Glasgow
0141 333 6662



Disclaimer: In line with our policy of continuous research and development, Light Footprint Ltd reserves the right to change specifications or design without prior notice. The information contained in this publication is representative only of current products and does not form part of a contract. All information and images shown are strictly for guidance only. Light Footprint Ltd is not responsible for any errors, omissions or inaccuracies found on these data sheets.

Carbon Trust Implementation Services Accredited Suppliers have undergone an independent accreditation process to demonstrate their skills and experience in delivering low energy, high performing solutions. For further details visit www.carbontrust.co.uk/implementation