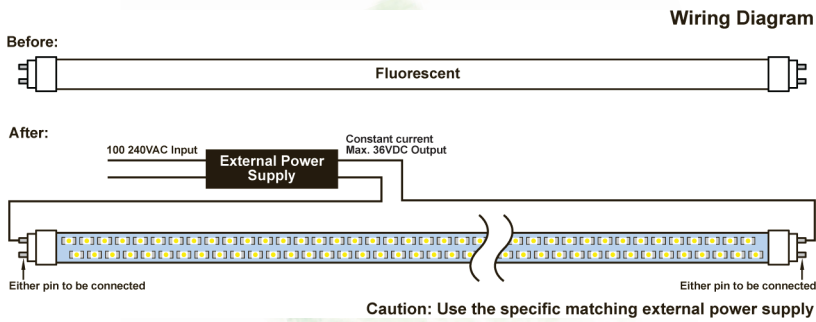


## T5 SMD LED Tube (EPS)



Our T5 Lamps are assembled using high grade SMD High Brightness LED's and the highest quality components to ensure optimal levels of light output combined with efficient heat management.

They are available in a wide range (549mm-1449mm) offering a direct replacement for existing T5 fluorescent tubes. The tubes come with an external power supply (EPS).

Simply re-wire the current fittings as described below and install the LED tubes.

### Technical Specification

Total Circuit Wattage 10W/21W/30W

Working Voltage 100-265VAC

Working Temperature -20°C/+40°C

Beam Angle 120°

Estimated Life Span 50,000hrs

CRI >80

Lamp Base G5

### Test Standards

EN55015:2006

EN61547:1995+A1:2000

EN61000-3-2:2006

EN61000-3-3:1995+A1:2001+A2:2005

EN60598-1:2004

EN61195:1999



**3 Year Warranty**

**DIMMABLE**

Product Code	Size	Colour	Lumen	TCW	Dimmable
FRT600ENW	16mm x 549mm (2ft)	Natural White 4000K (NW)	620	10W	YES
FRT600EDW	16mm x 549mm (2ft)	Daylight White 5500K (DW)	650	10W	YES
FRT1200ENW	16mm x 1149mm (4ft)	Natural White 4000K (NW)	1235	21W	YES
FRT1200EDW	16mm x 1149mm (4ft)	Daylight White 5500K (DW)	1300	21W	YES
FRT1500ENW	16mm x 1449mm (5ft)	Natural White 4000K (NW)	1755	30W	YES
FRT1500EDW	16mm x 1449mm (5ft)	Daylight White 5500K (DW)	1850	30W	YES

### Notes

Please be aware this product is lead time only and minimum order quantity applies.

**Web**  
www.lightfootprint.com

**Belfast**  
028 9051 7057

**Glasgow**  
0141 333 6662



Disclaimer: In line with our policy of continuous research and development, Light Footprint Ltd reserves the right to change specifications or design without prior notice. The information contained in this publication is representative only of current products and does not form part of a contract. All information and images shown are strictly for guidance only. Light Footprint Ltd is not responsible for any errors, omissions or inaccuracies found on these data sheets.

Carbon Trust Implementation Services Accredited Suppliers have undergone an independent accreditation process to demonstrate their skills and experience in delivering low energy, high performing solutions. For further details visit [www.carbontrust.co.uk/implementation](http://www.carbontrust.co.uk/implementation)