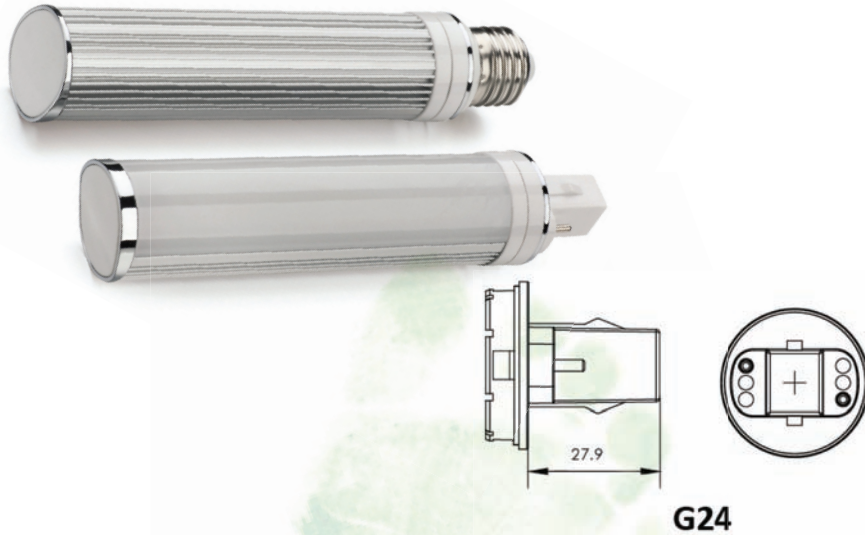


G24 Lamps



The Light Footprint G24 ('PL') replacement lamps have been specially adapted to fit into existing G24 (d/q) fittings.

All lamps have a rotatable base cap which enables the beam pattern to be adjusted, depending on lamp holder position, to deliver the precise light distribution required.

The Light Footprint G24 lamp is designed to fit in to most 2 & 4 pin fittings and are equipped with a constant current driver ensuring optimum stability and longevity.

Technical Specification

Total Circuit Wattage	5W / 7W
Working Voltage	100-265VAC
Working Temperature	-20°C/+40°C
Beam Angle	140°
Estimated Life Span	40,000hrs
CRI	>80
Lamp Base	G24
Power Factor	0.90

Test Standards

EN62560:2012
EN62471:2008
EN62493:2010



3

Year Warranty

Product Code	Length	Colour	Lumen	TCW
PL5NW	145mm	Natural White 4000K (NW)	570	5W
PL5DW	145mm	Daylight White 5500K (DW)	600	5W
PL7NW	165mm	Natural White 4000K (NW)	720	7W
PL7DW	165mm	Daylight White 5500K (DW)	760	7W

Other product options (lead-time & minimum order quantity applies)

E27 (ES) Base

Accessories

4W 3hr Emergency Lighting Unit (4.2)